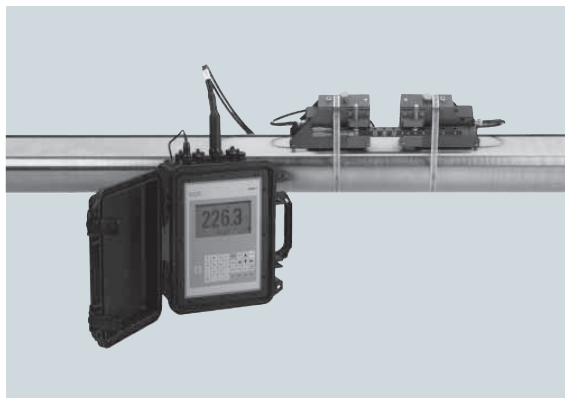


SITRANS F flowmeters SITRANS F US

SITRANS FUP1010 Portable clamp-on

Overview



SITRANS FUP1010 clamp-on non-intrusive ultrasonic flow display computer offers maximum versatility plus battery power for portable field use. It can operate in either WideBeam Transit-Time or reflexor (Doppler) mode, making it suitable for virtually any liquid, even those with high aeration or suspended solids.

SITRANS FUP1010 is available in single and dual channel or dual path configurations, with IP67 weatherproof enclosure.

Benefits

- Battery power facilitates field use; the meter is easily transported from one installation to another – saving time for surveys, monitoring and temporary installations
- Weatherproof model can be used outdoors and left in place without concern for rain damage
- Weatherproof model's rugged plastic case enables it to withstand rough treatment that would destroy most other meters
- Versatility - there is no need to change meters when operating conditions change
- Easy installation; no need to cut pipe or stop flow
- Minimal maintenance; external transducers do not require periodic cleaning
- No moving parts to wear or foul
- No pressure drop or energy loss
- Wide turn-down ratio
- Choice of single or dual channel models minimizes total cost
- Zeromatic Path automatically sets zero without stopping flow and reduces zero drift, even at low flow
- Note that the FUP1010 flow display computer is not available with hazardous area approvals

Application

FUP1010 is suitable for a wide variety of liquid applications, including the following:

- Water industry
 - Raw water
 - Potable water
 - Chemicals
- Wastewater industry
 - Raw sewage
 - Effluent
 - Sludges
 - Mixed liquor
 - Chemicals
- HVAC industry
 - Chillers
 - Condensers
 - Hot and cold water systems
 - Thermal energy rate and total
- Power industry
 - Nuclear
 - Fossil
 - Hydroelectric
- Processing industry
 - Process control
 - Batching
 - Rate indication
 - Volumetric and mass measurement

Design

- IP67 Weatherproof / Impact resistant enclosure constructed of mineral reinforced copolymer polypropylene
 - Single channel
 - Dual channel / dual path

Function

- Integral 33 button keypad and large (128 x 240 pixel) graphic display visible up to 12 m (40 ft) away
- Current, voltage, frequency and RS232 outputs (see specification section for details)
- Optional current, voltage and temperature inputs (see specification section for details)
- Zeromatic Path automatically sets zero
- Bi-directional flow operation
- 1 MByte data logger with both site and data logger storage
- English, spanish, german, italian and french language options

Reading Office

Cutbush Park, Danehill, Lower Earley,
Reading, Berkshire. RG6 4UT. UK.
Tel: +44 (0)118 9311188
Email: info@able.co.uk

Aberdeen Office

Unit 6 Airside Business Park, Kirkhill Industrial Estate,
Dyce, Aberdeen. AB21 0GT. UK.
Tel: +44 (0)1224 725999
Email: ab@able.co.uk

Internet: www.able.co.uk
e-procurement: www.247able.com
Registered in England No: 01851002
VAT No: GB 417 2481 61



SITRANS F flowmeters SITRANS F US

SITRANS FUP1010 Portable clamp-on

Technical specifications

Input	
Flow range	± 12 m/s (± 40 ft/s), bidirectional
Pipe size	6.4 mm ... 9.14 m (0.25" ... 360")
Optional inputs, single channel	<ul style="list-style-type: none"> • Current: 2 x 4 ... 20 mA DC • Voltage: 2 x 0 ... 10 V DC • Temperature: 2 x 4 wire 1 kΩ RTD
Output	
Outputs	<ul style="list-style-type: none"> • Current: 2 x 4 ... 20 mA DC (1 kΩ at 30 V DC) • Voltage: 2 x 0 ... 10 V DC (5 kΩ minimum) • Status Alarm: 4 x SPDT Relays • Frequency: 2 x 0 ... 5000 Hz • RS232
Accuracy	
Accuracy	± 0.5% ... 2% of flow, for velocities greater than 0.3 m/s (1 ft/s) ± 0.0015 ... 0.006 m/s (± 0.005 ... 0.02 ft/s), for velocities less than 0.3 m/s (1 ft/s)
Batch repeatability	± 0.15% of flow, for velocities greater than 0.3 m/s (1 ft/s) ± 0.0005 m/s (± 0.0015 ft/s), for velocities less than 0.3 m/s (1 ft/s)
Rated operation conditions	
Degree of protection	<ul style="list-style-type: none"> • Weatherproof/impact resistant
Liquid temperature	<ul style="list-style-type: none"> • Standard: -40 ... +120 °C (-40 ... +250 °F) • Optional: -40 ... +230 °C (-40 ... +450 °F)
Ambient temperature	-18 ... +60 °C (0 ... 140 °F)
Design	
Dimensions	see SITRANS F US Clamp-on "System info and selection guide"
Weight	see diagrams
Power supply	
Power	Internal NiCd battery
Battery operation	4 hours
Indication and operation	
Data logger memory	1 MByte
Site storage memory	50 sites minimum
Display	128 x 240 pixel LCD with back-light
Keypad	33 keypad buttons with tactile feedback
Language options	English, spanish, german, italian, french
Certificates and approvals	
Unclassified locations only	UL ULc CE: <ul style="list-style-type: none"> • LVD IEC 61010-1; CB Test Certificate • EMC EN 61000-6-2, -4

SITRANS F flowmeters SITRANS F US

SITRANS FUP1010 Portable clamp-on

Standard MLFB for quick delivery on SITRANS FUP1010 Portables (excluding energy)

Selection and Ordering data	Order No.
SITRANS FUP1010 Portable clamp-on	
• IP67 Weather proof battery powered	D) 7ME3510- - - - - - 0 0
Number of channels/ultrasonic paths Dual channel	2
Standard flowmeter types and I/O configurations	C
• Type 3 option adder - 2 x 4 ... 20 mA analog in - 2 x RTD input	
Transducer cables (select proper quantity of active channels) No transducer cable 1 x PVC-jacket, length 6 m (20 ft) (for NEMA 6)	A B
RTD temperature sensor (for type 3 meter only, mounting hardware and cable included) No RTDs 1 x standard clamp-on RTD (NEMA 12) with 6 m (20 ft) cable	0 1
Battery charger options Charger Type A for Europe (CEE7/7) Charger Type K for U.S. (NEMA 5-15P)	1 5
Transducer for channel 1 (includes pipe mounting kit and spacer bar for indicated max. outer diameter listed) See „Transducer selection charts“ for specifications.	
no transducer	A
A2 universal Trackmount and straps provided up to 75 mm (3")	B
B3 universal Trackmount and straps provided up to 125 mm (5")	C
C3 universal Mounting frame and straps provided up to 300 mm (13")	D
D3 universal Mounting frame and straps provided up to 600 mm (24")	E
E2 universal Mounting frame and straps provided up to 1200 mm (48") ¹⁾	F
C1H (high precision) Mounting frame and straps provided up to 1200 mm (48")	M
C2H (high precision) Mounting frame and straps provided up to 1200 mm (48")	N
D1H (high precision) Mounting frame and straps provided up to 1200 mm (48") ²⁾	P
D2H (high precision) Mounting frame and straps provided up to 1200 mm (48") ²⁾	Q

Selection and Ordering data	Order No.
SITRANS FUP1010 Portable clamp-on	
• IP67 Weather proof battery powered	D) 7ME3510- - - - - - 0 0
Transducer for channel 2 (includes pipe mounting kit and spacer bar for indicated max. outer diameter listed) See „Transducer selection charts“ for specifications.	
no transducer	A
A2 universal Trackmount and straps provided up to 75 mm (3")	B
B3 universal Trackmount and straps provided up to 125 mm (5")	C
C3 universal Mounting frame and straps provided up to 300 mm (13")	D
D3 universal Mounting frame and straps provided up to 600 mm (24")	E
E2 universal Mounting frame and straps provided up to 1200 mm (48") ¹⁾	F
C1H (high precision) Mounting frame and straps provided up to 1200 mm (48")	M
C2H (high precision) Mounting frame and straps provided up to 1200 mm (48")	N
D1H (high precision) Mounting frame and straps provided up to 1200 mm (48") ²⁾	P
D2H (high precision) Mounting frame and straps provided up to 1200 mm (48") ²⁾	Q
Approvals: No options (UL, ULc, CE by default)	
¹⁾ Supplied spacer bar supports pipes up to 1050 mm (42 inches). For pipes larger than 1050 mm (42 inches) purchase also, spare part 7ME3960-0MS40 (1012BN-4)	
²⁾ Supplied spacer bar supports pipes up to 750 mm (30 inches). For pipes larger than 750 mm (30 inches) purchase also, spare part 7ME3960-0MS40 (1012BN-4)	
Standard MLFB product offering represents 4 to 6 weeks delivery time	
D) Subject to export regulations AL: N, ECCN: EAR99H.	

SITRANS F flowmeters SITRANS F US

SITRANS FUP1010 Portable clamp-on

Selection and Ordering data	Order No.	Ord. code
SITRANS FUP1010 Portable clamp-on		
• IP67 weather proof battery powered	D)	7ME3510-
		■ ■ ■ ■ - 0 ■ ■ 0 ■ ■ ■ ■
Number of channels/ultrasonic paths		
Single channel	1	
Dual channel/Dual path	2	
Standard flowmeter types and I/O configurations		
• Type 3 option adder		C
- Reflexor capable		
- Graphic display		
- 2 x 0 ... 10 V		
- 2 x 4 ... 20 mA		
- 2 x pulse outputs		
- 4 x status logic		
- 2 x 4 ... 20 mA analog in		
- 1 x RTD per channel		
Transducer cables (select proper quantity of active channels) No transducer cable	A	
IP67 (weather proof) only		
1 x PVC-jacket, length 6 m (20 ft) (for IP67 NEMA 6) ²⁾	B	
2 x PVC-jacket, length 6 m (20 ft) (for IP67 NEMA 6) ²⁾	C	
1 x PVC-jacket, length 15 m (50 ft) (for IP67 NEMA 6) ²⁾	D	
2 x PVC-jacket, length 15 m (50 ft) (for IP67 NEMA 6) ²⁾	E	
Other versions add Order code and plain text.	Z	K 1 Y
RTD temperature sensor (for type 3 meter only, mounting hardware and cable included) No RTDs	0	
IP67 (weather proof) only		
1 x standard clamp-on RTD (NEMA 6) with 6 m (20 ft) cable ¹⁾	5	
2 x standard clamp-on RTD (NEMA 6) with 6 m (20 ft) cable ¹⁾	6	
1 x standard clamp-on RTD (NEMA 6) with 15 m (50 ft) cable ¹⁾	7	
2 x standard clamp-on RTD (NEMA 6) with 15 m (50 ft) cable ¹⁾	8	
Other versions add Order code and plain text.	9	L 1 Y
Battery charger options		
no battery charger	0	
Charger Type A for Europe (CEE77)	1	
Charger Type C for Australia (AS3112)	2	
Charger Type D for U.K. (BS1363)	3	
Charger Type J for Japan (JIS8303)	4	
Charger Type K for U.S. (NEMA 5-15P)	5	
Charger Type L for Switzerland (SEV1011)	6	
Special: External battery for extended service, add Order code and plain text.	9	M 1 Y
External 4 hours battery with US plug for IP67 (NEMA 6) Portable	9	M 1 B
External 4 hours battery with European plug for IP67 Portable	9	M 1 D

Selection and Ordering data	Order No.	Ord. code
SITRANS FUP1010 Portable clamp-on		
• IP67 weather proof battery powered	D)	7ME3510-
		■ ■ ■ ■ - 0 ■ ■ 0 ■ ■ ■ ■
Transducer for channel 1 Including pipe mounting tracks for sizes A & B transducers indented for pipe with a OD less than 125 mm (5") and mounting frame/spacer bars for sizes C, D & E transducers. Straps provided are for the indicated maximum OD listed below. Strap kits are available to accommodate larger pipes (refer to spare part list). Refer to "Transducer Selection Charts" for the transducer suitability of pipe size and wall thickness.		
no transducer		A
A2 universal	Trackmount and straps provided up to 75 mm (3")	B
B3 universal	Trackmount and straps provided up to 125 mm (5")	C
C3 universal	Mounting frame and straps provided up to 300 mm (13")	D
D3 universal	Mounting frame and straps provided up to 600 mm (24")	E
E2 universal	Mounting frame and straps provided up to 1200 mm (48") ³⁾	F
For the following A1H to D4H transducers, temperature range is -40 °C to 65 °C (-41 °F to 150 °F), nominal 21 °C (70 °F):		
A1H (high precision)	Trackmount and straps provided up to 75 mm (3")	G
A2H (high precision)	Trackmount and straps provided up to 75 mm (3")	H
A3H (high precision)	Trackmount and straps provided up to 75 mm (3")	J
B1H (high precision)	Trackmount and straps provided up to 125 mm (5")	K
B2H (high precision)	Trackmount and straps provided up to 125 mm (5")	L
C1H (high precision)	Mounting frame and straps provided up to 1200 mm (48")	M
C2H (high precision)	Mounting frame and straps provided up to 1200 mm (48")	N
D1H (high precision)	Mounting frame and straps provided up to 1200 mm (48") ⁴⁾	P
D2H (high precision)	Mounting frame and straps provided up to 1200 mm (48") ⁴⁾	Q
D4H (high precision)	Trackmount and straps provided up to 75 mm (3") ⁴⁾	R
Doppler	to 12" with chain kit	S
Other versions (different size, mount, type or pipe larger than DN 1200 (48"), or corrosion resistant), add Order code and plain text.		Z
High temperature transducer size 2 for up to 230 °C (446 °F) (30 to 200 mm diam. (1.18 to 7.67 inch diam.))		Z P 1 A
High temperature transducer size 3 for up to 230 °C (446 °F) (150 to 610 mm diam. (5.90 to 24 inch diam.))		Z P 1 B
High temperature transducer size 4 for up to 230 °C (446 °F) (400 to 1200 mm diam. (15.75 to 47.25 inch diam.))		Z P 1 C

D) Subject to export regulations AL: N, ECCN: EAR99H.

SITRANS F flowmeters SITRANS F US

SITRANS FUP1010 Portable clamp-on

Selection and Ordering data		Order No.	Ord. code
SITRANS FUP1010 Portable clamp-on			
• IP67 weather proof battery powered	D)	7ME3510-	
		■ ■ ■ ■ - 0 ■ ■ 0 ■ ■ ■ ■	
Transducer for channel 1 (continued)			
For the following B1H to D4H transducers, temperature range is -1 °C up to 104 °C (30 °F up to 220 °F), nominal 65 °C (150 °F):			
B1H (high temperature range HP)		Z	P 1 K
B2H (high temperature range HP)		Z	P 1 L
C1H (high temperature range HP)		Z	P 1 M
C2H (high temperature range HP)		Z	P 1 N
D1H (high temperature range HP) ⁴⁾		Z	P 1 P
D2H (high temperature range HP) ⁴⁾		Z	P 1 Q
D4H (high temperature range HP) ⁴⁾		Z	P 1 R
Transducer for channel 2			
(includes pipe mounting kit and spacer bar for indicated max. outer diameter listed)			
See „Transducer selection charts“ for specifications.			
no transducer			A
A2 universal	Trackmount and straps provided up to 75 mm (3")		B
B3 universal	Trackmount and straps provided up to 125 mm (5")		C
C3 universal	Mounting frame and straps provided up to 300 mm (13")		D
D3 universal	Mounting frame and straps provided up to 600 mm (24")		E
E2 universal	Mounting frame and straps provided up to 1200 mm (48") ³⁾		F
For the following A1H to D4H transducers, temperature range is -40 °C to 65 °C (-41 °F to 150 °F), nominal 21 °C (70 °F):			
A1H (high precision)	Trackmount and straps provided up to 75 mm (3")		G
A2H (high precision)	Trackmount and straps provided up to 75 mm (3")		H
A3H (high precision)	Trackmount and straps provided up to 75 mm (3")		J
B1H (high precision)	Trackmount and straps provided up to 125 mm (5")		K
B2H (high precision)	Trackmount and straps provided up to 125 mm (5")		L
C1H (high precision)	Mounting frame and straps provided up to 1200 mm (48")		M
C2H (high precision)	Mounting frame and straps provided up to 1200 mm (48")		N
D1H (high precision)	Mounting frame and straps provided up to 1200 mm (48") ⁴⁾		P
D2H (high precision)	Mounting frame and straps provided up to 1200 mm (48") ⁴⁾		Q
D4H (high precision)	Trackmount and straps provided up to 75 mm (3") ⁴⁾		R
Doppler	to 12" with chain kit		S

Selection and Ordering data		Order No.	Ord. code
SITRANS FUP1010 Portable clamp-on			
• IP67 weather proof battery powered	D)	7ME3510-	
		■ ■ ■ ■ - 0 ■ ■ 0 ■ ■ ■ ■	
Transducer for channel 2 (continued)			
Other versions (different size, mount, type or pipe larger than DN 1200 (48"), or corrosion resistant), add Order code and plain text.			
High temperature transducer size 2 for up to 230 °C (446 °F) (30 to 200 mm diam. (1.18 to 7.67 inch diam.))		Z	Q 1 A
High temperature transducer size 3 for up to 230 °C (446 °F) (150 to 610 mm diam. (5.90 to 24 inch diam.))		Z	Q 1 B
High temperature transducer size 4 for up to 230 °C (446 °F) (400 to 1200 mm diam. (15.75 to 47.25 inch diam.))		Z	Q 1 C
For the following B1H to D4H transducers, temperature range is -1 °C up to 104 °C (30 °F up to 220 °F), nominal 65 °C (150 °F):			
B1H (high temperature range HP)		Z	Q 1 K
B2H (high temperature range HP)		Z	Q 1 L
C1H (high temperature range HP)		Z	Q 1 M
C2H (high temperature range HP)		Z	Q 1 N
D1H (high temperature range HP) ⁴⁾		Z	Q 1 P
D2H (high temperature range HP) ⁴⁾		Z	Q 1 Q
D4H (high temperature range HP) ⁴⁾		Z	Q 1 R

Approvals: No options (UL, ULc, CE by default)

- 1) -40 ... +200 °C (-40 ... +392 °F)
- 2) -40 ... +80 °C (-40 ... +176 °F)
- 3) Supplied spacer bar supports pipes up to 1050 mm (42 inches). For pipes larger than 1050 mm (42 inches) purchase also, spare part 7ME3960-0MS40 (1012BN-4)
- 4) Supplied spacer bar supports pipes up to 750 mm (30 inches). For pipes larger than 750 mm (30 inches) purchase also, spare part 7ME3960-0MS40 (1012BN-4)

D) Subject to export regulations AL: N, ECCN: EAR99H.

SITRANS F flowmeters SITRANS F US

SITRANS FUP1010 Portable clamp-on

Selection and Ordering data	Order code
Further designs	
Please add „Z“ to Order No. and specify Order code(s).	
Languages (Meter and Documentation), English (default). All languages now come standard in all flowmeters	
Wet flow transfer calibration (priced on request)	
<ul style="list-style-type: none"> 6 point up to DN 100 (4 inch) 6 point up to DN 125 to DN 200 (5 to 8 inch) 6 point up to DN 250 to DN 300 (10 to 12 inch) 6 point up to DN 350 to DN 400 (14 to 16 inch) 6 point up to DN 450 to DN 500 (18 to 20 inch) 6 point up to DN 550 to DN 600 (22 to 24 inch) 6 point up to DN 650 to DN 750 (26 to 30 inch) 6 point up to DN 800 to DN 900 (32 to 36 inch) 	D10 D11 D12 D13 D14 D15 D16 D17
Tag name plate	
<ul style="list-style-type: none"> Stainless steel tag with 3.2 mm (0.13 inch) character size (26 characters max.) Stainless steel tag with 3.2 mm (0.13 inch) character size (68 characters max.) 	Y17 Y19
¹⁾ Supplied spacer bar supports pipes up to 1050 mm (42 inches). For pipes larger than 1050 mm (42 inches) purchase also, spare part 7ME3960-OMS40 (1012BN-4) ²⁾ Supplied spacer bar supports pipes up to 750 mm (30 inches). For pipes larger than 750 mm (30 inches) purchase also, spare part 7ME3960-OMS40 (1012BN-4)	

MLFB example

Application example

A general survey portable flowmeter is required for pipes sizes ranging from 76 ... 500 mm (3" ... 20") with both cast iron and steel material. Doppler may be required as liquid may be moderately aerated.

Requires language support for German.

MLFB Order No.: **7ME3510-2AB01-0DE0-Z B10**

Selection and Ordering data	Order No.	Ord. code
FUP1010 meter family	7ME3510-00000000	
IP67 weather proof	0	
Dual channel	2	
Portable Type 3 I/O with Doppler capable, temperature	C	
2 Plenum rated transducer cables 20 ft	B	
No RTDs required	0	
Charger Type A for Europe (CEE7/7)	1	
Transducer for DN 50 ... DN 300 (2" ... 12") pipes	D	
Transducer for DN 200 ... DN 600 (8" ... 24") pipes	E	
German language support		B10

Transducer Selection Charts

Universal transducers for any pipe material

Transducer Size Code	Order Code	Outer diameter range (mm)		Outer diameter range (inches)	
		min	max	min	max
A2	B	12.7	50.8	0.5	2
B3	C	19	127	0.75	5
C3	D	51	305	2	12
D3	E	203	610	8	24
E2	F	254	6096	10	240

High precision transducers for steel pipe with outer diameter/wall thickness ratio > 10

Transducer Size Code	Order Code	Pipe wall (mm)		Pipe wall (inches)	
		min	max	min	max
A1H	G	0.64	1.02	0.025	0.04
A2H	H	1.02	1.52	0.04	0.06
A3H	J	1.52	2.03	0.06	0.08
B1H	K	2.03	3.05	0.08	0.12
B2H	L	3.05	4.06	0.12	0.16
C1H	M	4.06	5.84	0.16	0.23
C2H	N	5.84	8.13	0.23	0.32
D1H	P	8.13	11.17	0.32	0.44
D2H	Q	11.18	15.75	0.44	0.62
D4H	R	15.75	31.75	0.62	1.25