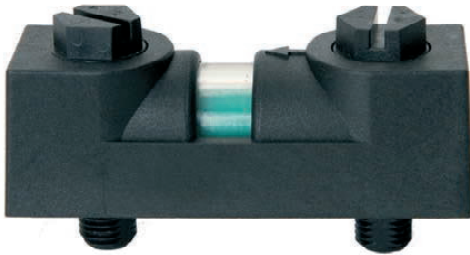
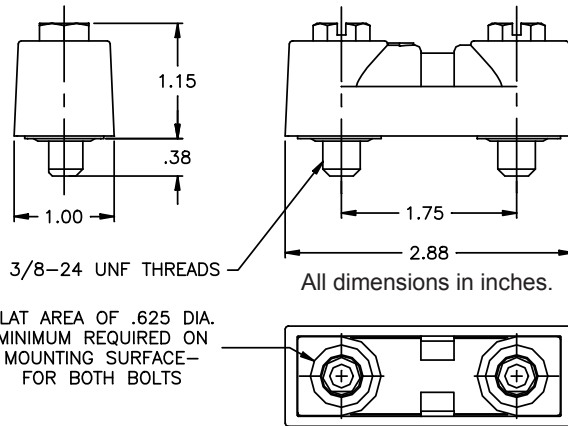


## O.E.M “Piston Type” Differential Pressure Indicator Model 444

Model 444 Series differential pressure indicator offers a simple, yet functional design for use with filters, strainers, etc. This low cost indicator makes the perfect alternative to more costly differential pressure gauges where readability, small size and price are important considerations.



Made  
in the  
USA



| Model Number | DP Range  | Transition Points |                     |
|--------------|-----------|-------------------|---------------------|
|              |           | Piston Moves @    | Indicator all Red @ |
| 444-05       | 0-5 PSID  | 3.75 PSI          | 5.25 PSI            |
| 444-10       | 0-10 PSID | 7.75 PSI          | 10.5 PSI            |
| 444-15       | 0-15 PSID | 11.75 PSI         | 15.5 PSI            |
| 444-25       | 0-25 PSID | 18.75 PSI         | 27.0 PSI            |

**Minimum Order Quantity  
50 UNITS**

**OEM Applications Quoted**  
Please call with specifications.

| SPECIFICATIONS:  |  | Comments:   |
|--|--|---|
| Maximum Working Pressure   | 300 PSIG   |   |
| Differential Pressure Ranges:<br>**Contact factory for additional ranges | 0-5 thru 0-25 PSID**   |   |
| Accuracy   | ± 5% of Rated Differential Pressure Range                        | Calibrated at Color Transitions   |
| Operating Temperature (Max.)   | 93°C (200°F)   |   |
| MATERIALS OF CONSTRUCTION:   |  |   |
| Body Material  | Glass Filled Nylon (GFN) 6/6 Body                                |   |
| Wetted Internals   | Glass Filled Nylon & Stainless Steel                             |   |
| Elastomers   | Buna-N   |   |
| Lens   | Clear Nylon  |   |
|  |  |   |
|  |  |   |
| INTERFACE:   |  |   |
| Process Connection:  | Slotted Hex Bolt 3/8-24 UNF<br>Chamfered Bolts Ease Installation | Flow Direction Identified<br>on Indicator Body.<br>Arrow Points to Low Pressure Port. |