

IntelliPoint RF™ Series

Two-Wire Point Level Switch – One of the Drexelbrook RF Point Level Switches You Won't Have to Calibrate

The only RF switch you won't calibrate. Simply install the IntelliPoint RF Series into the tank and apply power...that's it! Unlike other RF or capacitance systems that require calibration via setpoint potentiometers, jumpers, magnets, or pushbuttons, the IntelliPoint RF Series reliably detects the absence or presence of material without any adjustments.

The IntelliPoint RF Series software continuously monitors the application for changes in composition, dielectric or conductivity, and maintains a repeatable trip point on the probe. Other RF and capacitance systems require calibration adjustments when the process material is changed. Since the the IntelliPoint RF Series recognizes changes in material, it is ideal for non-dedicated tanks that are used for a wide variety of products.

Self-Test Feature

Automatic and manual test functions ensure proper system operation. An AutoVerify™ self-check circuit continuously monitors that the complete system is functioning properly. The Manual Certify not only checks the function of the system, but also checks the AutoVerify self-test circuits to make sure that they are also working properly.

Dual Compartment Housing

New dual compartment housing separates the customer wiring from the sensing element and operating circuits. The encapsulated power supply/terminal block design eliminates the possibility of damage caused by moisture in the conduit.



The **IntelliPoint RF** From

DREXELBROOK®

Auto-Calibration!

Intelligent Electronics

- No calibration or setpoint adjustments.
- Ignores changes in dielectric or conductivity.
- Automatically recognizes and ignores coatings to prevent false alarms.
- Continuous self-test monitors circuits and sensing elements for faults.

Diverse Applications

- Detects the absence or presence of liquids, slurries, interfaces and granulars.

Output

- 8mA (Alarm) 16mA (Normal) or 8mA (Normal) and 16 mA (Alarm)

Remote or Integral Electronics

- Unlike many technologies, electronics can be remote mounted to a convenient or safe location



IntelliPoint RF™ Series Specifications

Technology:

RF Admittance

Calibration:

None

Modes Of Operation:

High and Low Level

Repeatability:

2 mm (0.08 inch) conductive liquids

Response Time:

Less than one second

Ambient Electronic Temperature:

-30 to 70°C (-22 to 158°F)

Storage Temperature:

-40 to 85°C (-40 to 185°F)

Indicators:

LEDs: Green Power, Red Alarm

Self-Check:

AutoVerify automatically and continuously checks electronics and sensing element for faults. Manual Certify checks that the AutoVerify circuits are functioning.

Time Delay:

0-60 seconds, forward or reverse-acting

Supply Voltage:

13-30 Vdc

Power Consumption:

2 watts maximum

Output:

8 mA - Alarm 8 mA - Normal
 16 mA - Normal 16 mA - Alarm
 22 mA - Fault 5 mA - Fault

Housing:

Dual Compartment, Powder-Coated aluminum with two cable entries

Cable Entry:

M20 x 1.5 CENELEC
 ¾-inch NPT FM/CSA

Ingress Protection:

IP66 NEMA 4X

Approvals:



FM approved. Explosion-proof for use in Class I, Division 1, Groups A, B, C, & D; Dust-Ignition proof for Class II, III, Division 1, Groups E, F, & G; Non-incendiary for use in Class I, Division 2, Groups A, B, C & D; Suitable for Class II, III, Groups F & G Hazardous (Classified) Indoor and Outdoor Type 4, 4X, IP66 locations with Intrinsically Safe connections to Class I, II, III, Division 1, Groups A, B, C, D, E, F, and G hazardous (Classified) locations in accordance with entity requirements and control drawing 420-0004-173-CD.



Class I, Groups A, B, C, and D with Intrinsically Safe sensing element; Class II, Groups E, F & G; Class III



II 1G EEx ia IIC T5 Ta = -30°C - +75°C
 II 1D T90°C

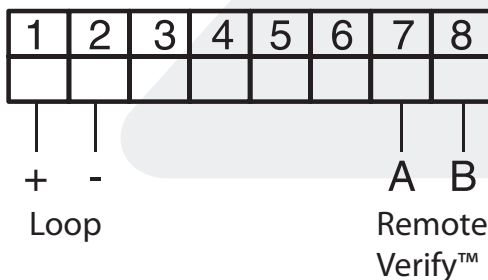


0344

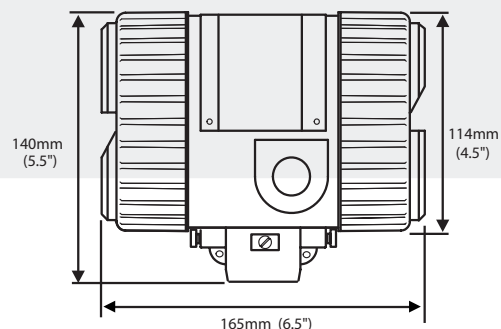
MTTF (Mean Time to Failure):

110 Years, Independently Tested

Wiring



Dimensions



Reading Office

Cutbush Park, Danehill, Lower Earley,
 Reading, Berkshire. RG6 4UT. UK.
 Tel: +44 (0)118 9311188
 Email: info@able.co.uk

Aberdeen Office

Unit 6 Airside Business Park, Kirkhill Industrial Estate,
 Dyce, Aberdeen. AB21 0GT. UK.
 Tel: +44 (0)1224 725999
 Email: ab@able.co.uk

Internet: www.able.co.uk
 e-procurement: www.247able.com
 Registered in England No: 01851002
 VAT No: GB 417 2481 61



IntelliPoint RF™ Series Model Numbering (continued on next page)

Technology			
R	RF Admittance		
Measurement Type			
L	No Calib., 2 pF Fixed Preload		
P	No Calib., 0.5 pF Fixed Preload (Hi. Sens.)		
M	Manual Calib.		
G	Manual Calib. (Hi. Sens.)		
V	No Calib., 10 pF Fixed Preload		
Input			
T	Two wire Power Supply, 13-30 Vdc		
Housing			
0	No Approvals, NEMA 4X/IP66, M20 X 1.5 conduit entries		
1	No Approvals, NEMA 4X/IP66, ¾" NPT conduit entries		
2	ATEX Approved, NEMA 4X/IP66, M20 X 1.5 conduit entries		
3	FM Approved, NEMA 4X/IP66, ¾" NPT conduit entries		
4	CSA Approved, NEMA 4X/IP66, ¾" NPT conduit entries		
5	No Approvals, NEMA 4X/IP66, M20 X 1.5 conduit entries, Dual Seal, Perm-a-Seal sensors – only		
6	No Approvals, NEMA 4X/IP66, ¾" NPT conduit entries, Dual Seal, Perm-a-Seal sensors – only		
7	FM Approved, NEMA 4X/IP66, ¾" NPT conduit entries, Dual Seal, Perm-a-Seal sensors – only		
8	CSA Approved, NEMA 4X/IP66, ¾" NPT conduit entries, Dual Seal, Perm-a-Seal sensors – only		
9	No Approvals, NEMA 4X/IP66, M20 X 1.5 conduit entries, Dual Seal, Non Perm-a-Seal sensors – only		
A	No Approvals, NEMA 4X/IP66, ¾" NPT conduit entries, Dual Seal, Non Perm-a-Seal sensors – only		
B	FM Approved, NEMA 4X/IP66, ¾" NPT conduit entries, Dual Seal, Non Perm-a-Seal sensors – only		
C	CSA Approved, NEMA 4X/IP66, ¾" NPT conduit entries, Dual Seal, Non Perm-a-Seal sensors – only		
Electronics			
0	Integral	7	Rmt. w/ (25 ft.) Tri-Ax Cable
1	Remote, no cable	8	Rmt. w/ (50 ft.) Tri-Ax Cable
2	Rmt. w/ 3 m (10 ft.) G.P. Cable	9	Rmt. w/ (75 ft.) Tri-Ax Cable
3	Rmt. w/ 7.6 m (25 ft.) G.P. Cable	A	Rmt. w/ (10 ft.) Hi-Temp. Cable
4	Rmt. w/ 10.6 m (35 ft.) G.P. Cable	B	Rmt. w/ (25 ft.) 1st 10ft Hi-Temp. Cbl.
5	Rmt. w/ 15.2 m (50 ft.) G.P. Cable	C	Rmt. w/ (35 ft.) 1st 10ft Hi-Temp. Cbl.
6	Rmt. w/ 23 m (75 ft.) G.P. Cable	D	Rmt. w/ (50 ft.) 1st 10ft Hi-Temp. Cbl.
E	Rmt. w/ (75 ft.) 1st 10ft Hi-Temp. Cbl.		
F	Rmt. w/ (5 ft.) G.P. Cable		
G	Rmt. w/ (5 ft.) Tri-Ax Cable		
H	Rmt. w/ (10 ft.) Tri-Ax Cable		
J	Rmt. w/ (35 ft.) Tri-Ax Cable		
K	Rmt. w/ (5 ft.) Hi-Temp. Cable		
Output			
0	8-16 mA Output		
Sensing Element			
Application	Sensing Element	Pressure/Temperature	Wetted Parts
00 General purpose	700-1202-001 remote 700-1202-021 integral	13.8 bar @ 232°C (200 PSI @ 450°F)	316SS and PEEK
01 Floating roof with cable attachment and brass bottom weight	700-1202-012 remote 700-1202-022 integral	13.8 bar @ 177°C (200 PSI @ 350°F)	316SS, Brass, and PEEK
02 General purpose, longer insertion lengths with cable attachment and 316SS bottom weight	700-1202-014 remote 700-1202-024 integral	13.8 bar @ 177°C (200 PSI @ 350°F)	316SS and PEEK
03 Proximity	700-1202-018 remote 700-1202-028 integral	13.8 bar @ 232°C (200 PSI @ 450°F)	316SS and PEEK with 76 mm (3) 316SS proximity plate 316SS and PEEK
04 General purpose, high temperature and pressure	700-1202-041 remote 700-1202-042 integral	69 bar @ 121°C (1000 PSI @ 250°F) 20.7 bar @ 232°C (300 PSI @ 450°F)	316SS and PEEK
06 General purpose with FDA approved materials of construction	700-1202-031 remote 700-1202-032 integral	13.8 bar @ 232°C (200 PSI @ 450°F)	316SS and FDA grade PEEK
07 General purpose Granular materials	700-1202-010 remote 700-1202-020 integral	13.8 bar @ 232°C (200 PSI @ 450°F)	316SS and PEEK with 7/8 inch dia. 316SS collar
09 General purpose Granular materials with FDA approved materials of construction	700-1202-033 remote 700-1202-034 integral	13.8 bar @ 232°C (200 PSI @ 450°F)	316SS and FDA grade PEEK with 7/8 inch dia. 316SS collar
10 Corrosive liquids (2)(4)(9)	700-0001-018 remote	3.4 bar @ 149°C (50 PSI @ 300°F)	PFA
11 General purpose, higher pressure TFE compatibility required	700-0201-005 int/rem	69 bar @ 38°C (1000 PSI @ 100°F) 13.8 bar @ 232°C (200 PSI @ 450°F)	316SS and TFE
12 Corrosive material, higher pressure	700-0201-005 int/rem Hastelloy C	69 bar @ 38°C (1000 PSI @ 100°F) 13.8 bar @ 232°C (200 PSI @ 450°F)	Hastelloy C and TFE
13 Sanitary (3)	700-0201-036 int/rem	69 bar @ 38°C (1000 PSI @ 100°F) 13.8 bar @ 232°C (200 PSI @ 300°F)	316/316L SS and TFE
14 General Purpose, low pressure	700-0202-002 int/rem	3.4 bar @ 149°C (50 PSI @ 300°F) 1.4 bar @ 232°C (20 PSI @ 450°F)	316SS and TFE
15 Heavy duty, agitated tanks or material with high bulk density (1)	700-0202-043 remote	69 bar @ 38°C (1000 PSI @ 100°F) 13.8 bar @ 232°C (200 PSI @ 450°F)	316SS and TFE
16 High Integrity Seal for Hazardous Materials	700-0002-360 int/rem	34.5 bar @ 149°C (500 PSI @ 300°F)	PFA
17 Sanitary (3) lowpressure	700-0202-036 int/rem	3.4 bar @ 149°C (50 PSI @ 300°F)	316SS and TFE
18 Corrosive material, higher pressure with waterlike viscosity (4)	700-0001-022 int/rem	69 bar @ 38°C (1000 PSI @ 100°F) 34.5 bar @ 149°C (500 PSI @ 300°F)	TFE
19 Interface Measurement	700-0002-023 int/rem	69 bar @ 38°C (1000 PSI @ 100°F) 34.5 bar @ 149°C (500 PSI @ 300°F)	316SS and TFE

Reading Office

Cutbush Park, Danehill, Lower Earley,
Reading, Berkshire. RG6 4UT. UK.
Tel: +44 (0)118 9311188
Email: info@able.co.uk

Aberdeen Office

Unit 6 Airside Business Park, Kirkhill Industrial Estate,
Dyce, Aberdeen. AB21 0GT. UK.
Tel: +44 (0)1224 725999
Email: ab@able.co.uk

Internet: www.able.co.uk
e-procurement: www.247able.com
Registered in England No: 01851002
VAT No: GB 417 2481 61



IntelliPoint RF™ Series Model Numbering (continued from previous page)

Application	Sensing Element	Pressure/Temperature	Wetted Parts
20 Miniature Pilot Plant Sensor (1) (7)	700-0209-002 remote	6.9 bar @ 121°C (100 PSI @ 250°F) 0 bar @ 232°C (0 PSI @ 450°F)	316 SS and TFE
Fly Ash Precipitators, Baghouse, and Economizers (1) (6)			
31 No hopper installation	700-0029-001 remote	0.1 bar @ 260°C (2 PSI @ 500°F)	316SS and TFE
32 Hopper Installation up to 200mm (8 inches)	700-0029-002 remote	0.1 bar @ 260°C (2 PSI @ 500°F)	316SS and TFE
33 Hopper Installation up to 406mm (16 inches)	700-0029-003 remote	0.1 bar @ 260°C (2 PSI @ 500°F)	316SS and TFE
34 Hopper Installation up to 521mm (20.5 inches)	700-0029-004 remote	0.1 bar @ 260°C (2 PSI @ 500°F)	316SS and TFE
35 Hopper Installation up to 635mm (25 inches)	700-0029-005 remote	0.1 bar @ 260°C (2 PSI @ 500°F)	316SS and TFE

Application	Sensing Element	Pressure/Temperature	Wetted Parts
Plugged Chute Detection (1) (5)			
50 Flush Mount Sensor 305mm ² (12 inches ²) heavy duty	700-0207-001 remote	0.1 bar @ 82°C (1 PSI @ 180°F)	304 SS and Polyurethane
51 Flush Mount Sensor 305mm ² (12 inches ²) higher temperature	700-0207-002 remote	0.1 bar @ 149°C (1 PSI @ 300°F)	304 SS and TFE
52 Flush Mount Sensor 305mm ² (12 inches ²) with curved radius 153, 229, 305 mm (6, 9, or 12 inches)	700-0207-003 remote	0.1 bar @ 82°C (1 PSI @ 180°F)	304 SS and Neoprene
53 Flush Mount Sensor 305mm ² (12 inches ²) extra heavy duty	700-0207-004 remote	0.1 bar @ 82°C (1 PSI @ 180°F)	410 SS and UHMW Polyethylene
55 Flush Mount Sensor 203mm ² (8 inches ²) heavy duty	700-0207-006 remote	0.1 bar @ 82°C (1 PSI @ 180°F)	304 SS and Polyurethane
High Pressure / High Temperature			
60 High Pressure & Temp.	700-0204-038 remote	137.9 bar @ 93°C (2000 PSI @ 200°F) 68.9 bar @ 260°C (1000 PSI @ 500°F)	316SS and Ceramic
61 High Temperature	700-0204-002 remote	0 bar @ 816°C (0 PSI @ 1500°F)	316SS and Ceramic
62 High Pressure & Temp.	700-0204-048 remote	275.8 bar @ 316°C (4000 PSI @ 600°F)	316SS
ZZ Sensing Element Not Listed			

Mounting Type (See separate Mounting Chart for first three digits)					
	IL		CSL		
xxx1	457 mm (18")	152 mm (6")	xxxG	457 mm (18")	0 mm (0")
xxx2	305 mm (12")	152 mm (6")	xxxH	914 mm (36")	254 mm (10")
xxxA	152 mm (6")	51 mm (2")	xxxJ	914 mm (36")	0 mm (0")
xxxB	305 mm (12")	51 mm (2")	xxxK	1219 mm (48")	254 mm (10")
xxxC	305 mm (12")	89 mm (3.5")	xxxL	1524 mm (60")	254 mm (10")
xxxD	457 mm (18")	51 mm (2")	P00X	IL/CSL Other	
xxxE	457 mm (18")	89 mm (3.5")	A1BX	IL/CSL factory set for Fly Ash	
xxxF	457 mm (18")	254 mm (10")	xxxZ	Other	

R T O

Not all mounting options available with all sensing elements

Notes: CSL (Cote-Shield Length) should extend through Nozzle + Typical "Wall Buildup" + 2 Inches
 (1) Available with remote electronics only (6) Use A1B mounting option
 (2) Use A1P mounting option (7) Use ABB mounting option (1/4-inch NPT)
 (3) Choose only sanitary mounting options (8) Choose from flange mounting only
 (4) Available with 0-inch CSL only (9) FM approved with remote electronics only
 (5) Use P00X mounting option

NPT Threads	
A1B 3/4"NPT	316SS
A1C 3/4"NPT	Hastelloy C
A1P 3/4"NPT	PFA
A2B 1"NPT	316SS
A2C 1"NPT	Hastelloy C

Sanitary TriClamps			
C2B 1" TriClamp	316SS	C4B 2" TriClamp	316SS
C3B 1 1/2" TriClamp	316SS		

DIN Flanges					
E01 25 mm	16 bar	RF 316/316L SS	E02 25 mm	16 bar	RF CS
EP1 25 mm	40 bar	RF 316/316L SS	EP2 25 mm	40 bar	RF CS
EQ1 50 mm	16 bar	RF 316/316L SS	EQ2 50 mm	16 bar	RF CS
ER1 50 mm	40 bar	RF 316/316L SS	ER2 50 mm	40 bar	RF CS
ES1 80 mm	16 bar	RF 316/316L SS	ES2 80 mm	16 bar	RF CS
ET1 80 mm	40 bar	RF 316/316L SS	ET2 80 mm	40 bar	RF CS
EU1 100 mm	16 bar	RF 316/316L SS	EU2 100 mm	16 bar	RF CS
EV1 100 mm	40 bar	RF 316/316L SS	EV2 100 mm	40 bar	RF CS
EW1 150 mm	16 bar	RF 316/316L SS	EW2 150 mm	16 bar	RF CS
EX1 150 mm	40 bar	RF 316/316L SS	EX2 150 mm	40 bar	RF CS

ANSI Flanges			
DA1 1" 150#	RF 316/316L SS	DA2 1" 150#	RF CS
DB1 1 1/2" 150#	RF 316/316L SS	DB2 1 1/2" 150#	RF CS
DC1 2" 150#	RF 316/316L SS	DC2 2" 150#	RF CS
DD1 2 1/2" 150#	RF 316/316L SS	DD2 2 1/2" 150#	RF CS
DE1 1" 300#	RF 316/316L SS	DE2 1" 300#	RF CS
DF1 1 1/2" 300#	RF 316/316L SS	DF2 1 1/2" 300#	RF CS
DG1 2" 300#	RF 316/316L SS	DG2 2" 300#	RF CS
DH1 2 1/2" 300#	RF 316/316L SS	DH2 2 1/2" 300#	RF CS
DI1 3" 150#	RF 316/316L SS	DI2 3" 150#	RF CS
DJ1 3" 300#	RF 316/316L SS	DJ2 3" 300#	RF CS
DK1 4" 150#	RF 316/316L SS	DK2 4" 150#	RF CS
DL1 4" 300#	RF 316/316L SS	DL2 4" 300#	RF CS
DM1 6" 150#	RF 316/316L SS	DM2 6" 150#	RF CS
DN1 6" 300#	RF 316/316L SS	DN2 6" 300#	RF CS