

PROCESS TECHNOLOGY

ULTRATEMP™ CAMERA - GROUND FLARES



GROUND FLARES

A flare is used to dispose of flammable material by combustion. Ground flares can be a replacement for a single stack flare for companies. The multi-point ground flares (MPGF) need to be monitored by a camera per EPA regulations. A video camera that is capable of continuously recording (i.e., at least one frame every 15 secs with time and date stamps) images of the flare flame.

THE CANTY ADVANTAGE

The CANTY UltraTemp™ is a vision-based camera system used with the CantyVision™ to monitor the flares inside an enclosed ground flare unit. The CantyVision™ software accurately measures smoking conditions as well as pilot in the flare for complete control. In comparison to thermocouples which are costly, not reliable, and monitor only one tube, a camera system can monitor multiple tubes at the same time. The CantyVision™ software can output a signal to alarm if the flare has a smoking condition over a certain time to an operator screen, PLC, or DCS for closed loop control. The system can then record video and take images according to EPA regulations. Video and images can be stored. By mounting into the ground flare wall the electronics are protected by the fused glass from the temperatures of upset conditions. The spray ring is provided to have clean instrument air passing through it to keep the lens clean and free from debris. No need for a pole where any maintenance can become a problem and very costly. By mounting in the wall, the flare camera can be accessed from the safe side of the flare wall.

FEATURES

- **MEETS EPA REQUIREMENTS**
- Temperature Control
- Visual Verification
- 1 Camera for Multiple Flare Monitoring
- Real Time Analysis
- Jet Spray Ring For Cleaning
- Flush Mount Up to 3' Insertion Available
- Wall Mounted For Easy, Safe Access
- More Cost Effective Than Infrared
- Eliminate Errors Associated With Pyrometers
- 1 Degree Accuracy
- Visual Verification
- Data Can Be Stored With Images Or Video
- All Data can be output via 4-20mA or OPC
- Safest Option for Operators

APPLICATIONS

- Ground Flare Monitoring
- Ethylene Furnace
- Hydrogen Reformer
- Reheat Boiler
- Millisecond Furnace
- Hydrocracking
- Many, Many, More!

BENEFITS

- **NO NEED FOR POLE SETUP**
- Continuous Output
- Ethernet Output
- Optional Save Video & Images per EPA
- Wall Mounted

SPECIFICATIONS

- Power: 12V / 24V / 120 VAC / 60 Hz (230 VAC / 50 Hz) options available
- Ethernet Camera GigE Connection

ANALYSIS WITH CANTYVISION™

- CantyVision™ System Can Measure And Control Your Process Parameters
- Inflow™ Systems Use A live Video Data
- CantyVision™ Can Perform Concentration / Particle Size / Count Functions
- Microsoft Windows Based Operating System
- Ethernet OPC or 4-20 mA Devices

Registered Address

ABLE Instruments & Controls Ltd
Cutbush Park, Danehill, Lower Earley,
Reading, Berkshire, RG6 4UT. UK.

Phone

+44 (0)118 9311188

Email

info@able.co.uk

Web

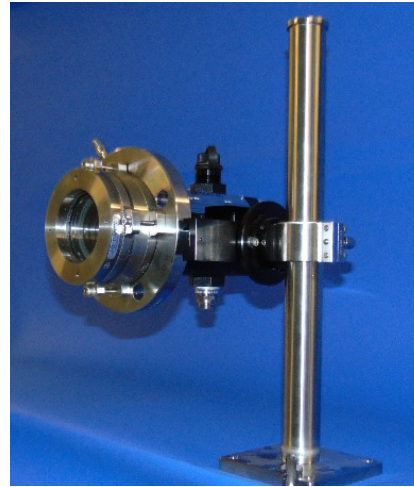
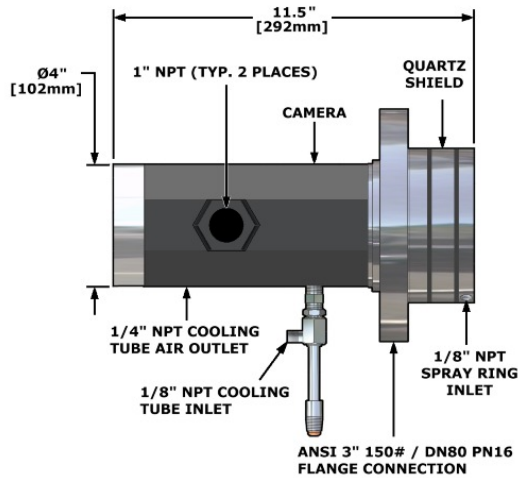
able.co.uk

E-commerce

247able.com



MOUNTING CONNECTIONS



- For 0" Insertion models, customer must provide a 3", 150# ANSI (U.S.) or DN80 PN16 (Europe) flange connection to mount camera.
- Layout drawings and additional insertion lengths available. Consult factory.

Ordering Information

HOW TO ORDER: Select the appropriate symbols and build a part number :

EXAMPLE:

VSH DE 6 5 H 1 - S - 3FL150S - 0INS

VIDEO OUTPUT FORMAT VSH - NORTH AMERICAN STANDARD VEH - EUROPEAN STANDARD	INSERTION LENGTH 0INS - FLUSH MOUNT - NO INSERTION
TEMPERATURE RATING 5 - MPGF OPERATING 2000° F TEMP AT LENS 1300° F (NO INSERTION)	MATERIAL OF CONSTRUCTION 3FL150S - 3" 150# ANSI FLANGE MOUNT 80FL16S - 80mm 16 BAR DIN FLANGE MOUNT
LENS VIEW ANGLES NON-INSERTION H - 69°(H) X 53°(V)	CAMERA SUPPLY OPTIONS 1 - POWER SUPPLY IN NEMA TYPE 1 ENCLOSURE (120V AC INPUT) 2 - POWER SUPPLY IN IP 20 ENCLOSURE (230V AC INPUT) 5 - POWER SUPPLY IN WP NEMA 4X ENCLOSURE (120V AC INPUT) 6 - POWER SUPPLY IN IP66 ENCLOSURE (230V AC INPUT)

NOTE: Accessory Kit part number: V401-KIT available to aid in installation contains 100-1000 SCFH and 60-600 SCFH Flowmeters along with a 0.5 micron oil/vapor removal filter.

