

Visual Level Indicators (VLI) Economy Line 6

Series	Type	Material	Pipe O.D. x s (mm)	Viscosity	Operating Pressure	Operating Temperature	Page	
Economy Line 6	34000E-A	316/316L	33.7*2.0	< 150 cSt	max. 6bar @ 20°C	-40...100°C	2	
	34000E-K	"	"	"	"	"	3	
	23614E-A	316/316L	53.0 x 1.5	< 600 cSt	max. 6bar @ 20°C	-40...100°C	4	
	23614E-K	"	"	"	"	"	5	
	Pressure Temperature Rating for Economy Line 6							6
	PED diagram for 26614E and fluid group 1							7
	Preparing indicator							8
	Mounting specification for switches and transmitters no. 20010501							9

Information to the Economy program

If you do not find a solution for your application concerning pressure, temperature, connections or others, please have a look to our other VLI series, like Smart Line, Standard, Power, Petro or Top of tank (www.weka-ag.ch) or contact your local Weka representative.

Standard delivery time for the Economy program is 5 to 10 working days, starting from receipt of technical and commercial confirmed order.
Delivery conditions according to "General conditions of contract for the supply of plant and machinery" VSM 2016.

Shipbuilding approvals for
ABS, BV, DNV, GL, LRS, RINA, RMRoS
can be downloaded under www.weka-ag.ch > support > approvals (type 34000... or 23614...)

Because of the NBR float being used for all Economy units it is not possible to fulfil the requirements of explosion proof equipment (2014/34/EU ATEX).

According the assessment of PED (2014/68/EU) the VLIs are classified to article 4.3, which means no CE marking and no material certificate 3.1 necessary.

For type 23614E please consult the diagram 2 on page no. 7 to determine maximum possible length of the unit.

Important note:

The complete economy line can only be ordered with the specifications mentioned in the data sheets.
There are NO alterations and NO special executions possible!

Main parameters:

- Loose flanges only
- NBR floats only
- Density 0,6 ... 1,1 (34000E); 0,8 ... 1,3 (23614E)
- Temperature -40°C ... +100°C
- PN6 (6bar@20°C)

Registered Address

ABLE Instruments & Controls Ltd
Cutbush Park, Danehill, Lower Earley,
Reading, Berkshire, RG6 4UT. UK.

Reading

Tel: +44 (0)118 9311188 | Email: info@able.co.uk

Aberdeen

Tel: +44 (0)1224 725999 | Email: ab@able.co.uk

Web

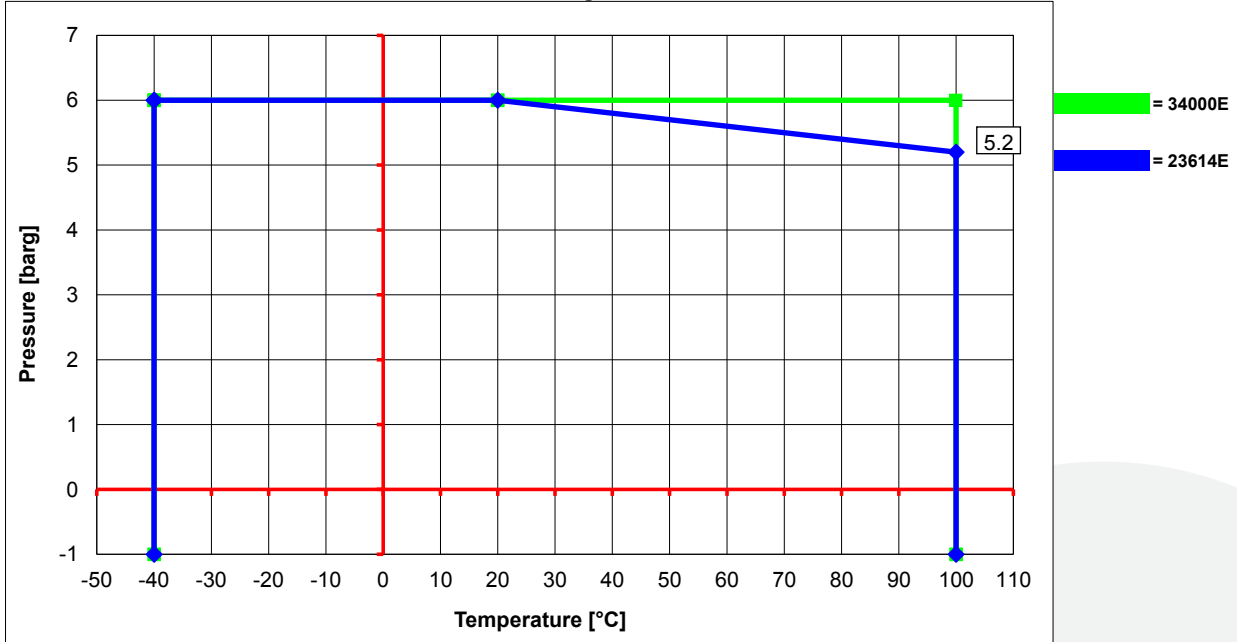
able.co.uk

E-commerce

247able.com



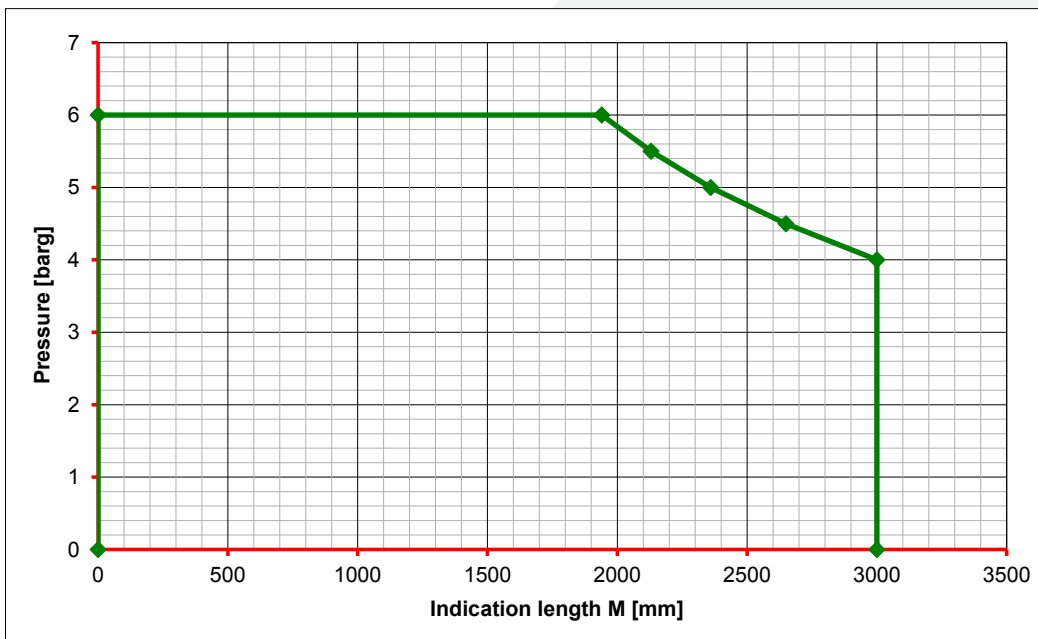
Max allowed pressure-temperature rating
VLI EconomyLine 6, all types 34000E and 23614E
max. 6bar(g) @ 20°C, up to max. 100°C
for VLI bypass float chambers in ss 316/316L
and loose flanges DN15, DN20, DN25



Subject to change without notice.

Max allowed pressure-volume rating

PED (2014/68/EU) conformity
to article 4.3 for VLI type 23614E depends on
fluid group 1, indication length M and pressure PS



Subject to change without notice.

Registered Address

ABLE Instruments & Controls Ltd
 Cutbush Park, Danehill, Lower Earley,
 Reading, Berkshire, RG6 4UT. UK.

Reading

Tel: +44 (0)118 9311188 | Email: info@able.co.uk

Aberdeen

Tel: +44 (0)1224 725999 | Email: ab@able.co.uk

Web

able.co.uk

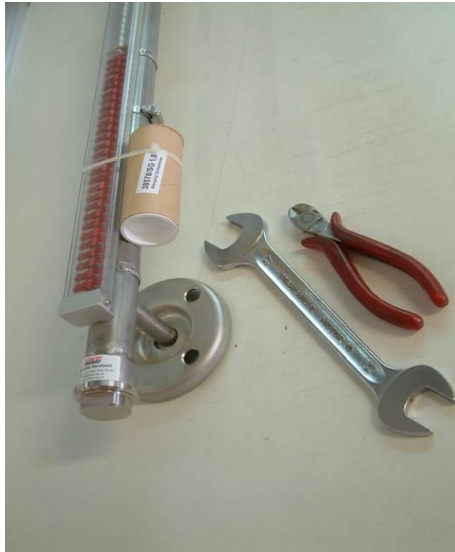
E-commerce

247able.com



Economy Line 6

Preparing for installation



Because there is no possibility to fix the float inside the float chamber the float is delivered in a cardboard box attached to the side of the Visual Level Indicator (VLI). Before setting to work you should insert the float into the float chamber and make sure the unit is working satisfactorily.

For the float installation you need two tools:

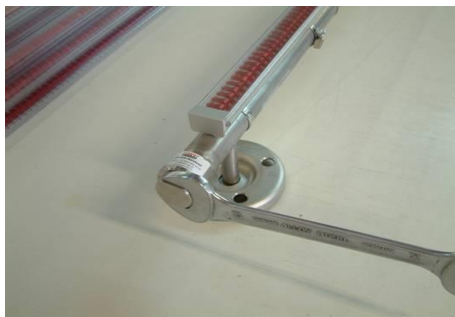
- a) a side cutter or something similar
- b) for type 34000E: a open-end wrench size 27mm
for type 23614E: a hexagon allen-type wrench 5mm

1. Cut the cable tie and unfix the cardboard box with the float.

2. Open the cardboard box both ends and unpack the float.



3. Open the float chamber of the VLI at the lower end (the type label and the label beside the indication rail shows the upright position),
 - for type 34000E by unscrewing the plug.
 - for type 23614E by unscrewing the 4 hexagon screws and removing the service flange.



4. Insert the float into the float chamber with the "TOP"- marking first.
5. Close the float chamber again. Take care of the gaskets and the sealing surfaces. Tighten torque of 34000E G1" plug
 - for Aramid/NBR- gaskets :
 - for PTFE- gaskets :
 Tighten torque of 23614E lower cover
 - for Aramid/NBR- gaskets : 0.73 ... 3.06Nm
 - for PTFE- gaskets : 2.62 ... 3.06Nm



After the first filling the float will turn into the right direction to activate the indication rail.

Registered Address

ABLE Instruments & Controls Ltd
Cutbush Park, Danehill, Lower Earley,
Reading, Berkshire, RG6 4UT. UK.

Reading

Tel: +44 (0)118 9311188 | Email: info@able.co.uk

Aberdeen

Tel: +44 (0)1224 725999 | Email: ab@able.co.uk

Web

able.co.uk

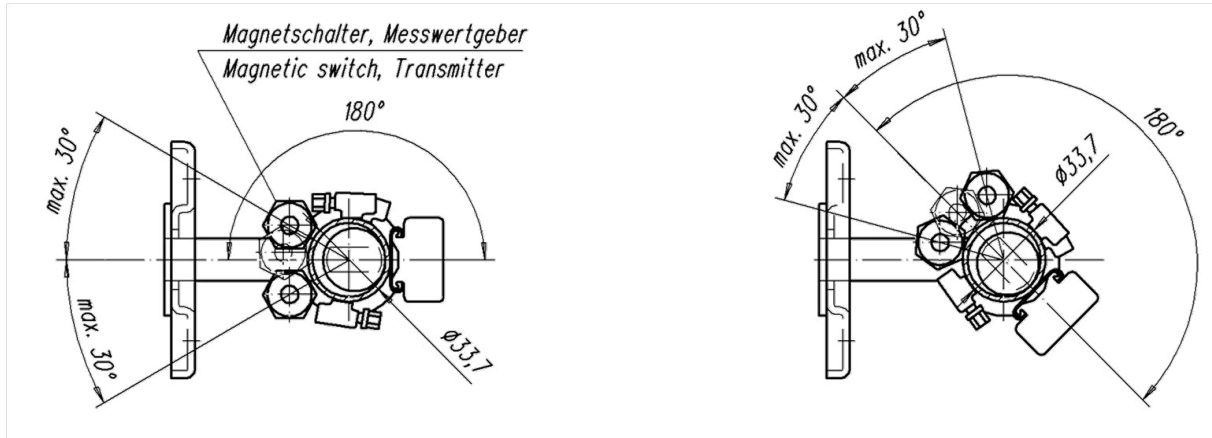
E-commerce

247able.com

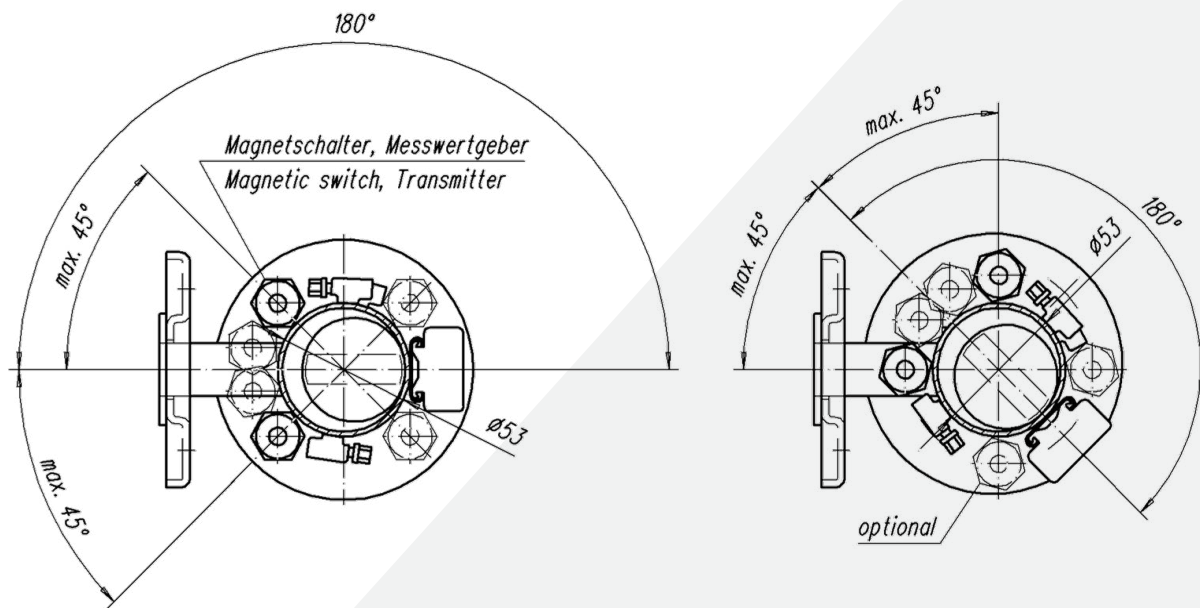


Mounting specification for switches and transmitters all types

34000E



23614E



Registered Address

ABLE Instruments & Controls Ltd
Cutbush Park, Danehill, Lower Earley,
Reading, Berkshire, RG6 4UT. UK.

Reading

Tel: +44 (0)118 9311188 | Email: info@able.co.uk

Aberdeen

Tel: +44 (0)1224 725999 | Email: ab@able.co.uk

Web

able.co.uk

E-commerce

247able.com

