

OPTO-MATIC® CONSTANT LEVEL OILERS



Opto-Matic Oilers provide an inexpensive method to automatically maintain a constant level of oil in a pump bearing housing, gear box, or other oil sump applications. Throughout processing industries, the Opto-Matic Oiler is the industry standard. Different reservoir capacities allow use in many applications.

Stainless steel models provide long life in corrosive environments in the chemical, pulp and paper, and mining industries.

FEATURES

- One piece glass reservoir ensures proper constant level function. Compared to competitive models, there is no possibility of air leakage that would cause overflowing of the bearing housing.
- Adjustable level setting allows use in many applications
- Multiple air vent slots provide for proper functioning at all times
- Large surge chamber helps prevent overflow of oil during machine start-up or shut-down
- Side and bottom connections for simplified installation

WIRE GUARDS

Wire guards are ordered separately and are customer installed.

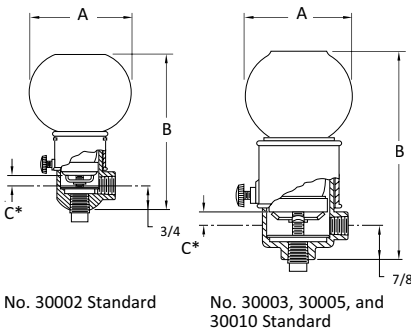


Model No. Standard	Model No. Stainless Steel	Description
30012	—	2-1/2 oz. Guard
30013	30313	4 oz. Guard
30016	30315	8 oz. Guard
30020	30320	16 oz. Guard

SPECIFICATIONS

	Standard	316 Stainless Steel
Max. Operating Temp.	250°F Continuous	
Reservoir	One-Piece Glass Bottle	
Casting	Zinc	316 Stainless
Finish	Zinc/Chromate Plated	Passivated
Internal Parts	Zinc Plated Steel	
O-ring	Viton®	

Viton® is a registered trademark of Du Pont Dow Elastomers.



SELECTION CHART—STANDARD

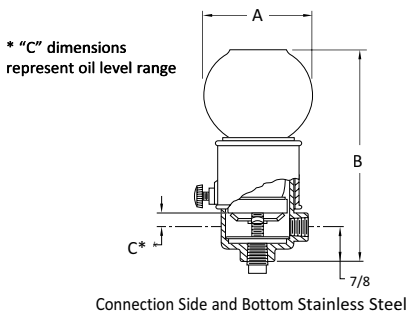
Model No.	Capacity	Connection (NPT)	Dimensions (in.)				
			A	B Min.	B Max.	C Min.	C Max.
30002	2-1/2 oz.	1/4	2-1/2	3-15/16	4-1/4	11/32	9/16
30003	4 oz.	1/4	2-11/16	5	5-3/4	9/32	1
30005	8 oz.	1/4	3-3/16	5-15/16	6-11/16	9/32	1
30010	16 oz.	1/4	4-1/8	6-13/16	7-9/16	9/32	1

* Metric thread sizes available. Add "-M" to part number for 1/4 BSPT connection port.

SELECTION CHART—316 STAINLESS STEEL

Model No. With Side & Bottom Connect	Capacity	Connection (NPT)	Dimensions (in.)				
			A	B Min.	B Max.	C Min.	C Max.
30213	4 oz.	1/4	2-11/16	4-15/16	5-11/16	9/32	1
30215	8 oz.	1/4	3-3/16	5-7/8	6-5/8	9/32	1
30220	16 oz.	1/4	4-1/8	6-3/4	7-1/2	9/32	1

* Metric thread sizes available. Add "-M" to part number for 1/4 BSPT connection port.



See Spectrum Opto-Matic Collars on page H10 for color coding options.



OPTO-MATIC® CONSTANT LEVEL OILERS

Opto-Matic Oilers provide a constant level of oil in a pump bearing housing, gear box, or other oil sump applications. Different reservoir capacities allow use in many applications.

“LS”, “EH”, and “EHB” models have a large surge chamber to minimize potential of leakage during oil surge conditions.

FEATURES

- High strength, transparent, ribbed plastic reservoir provides long life and impact resistance
- Adjustable level setting allows use in many applications
- Multiple air vent slots provide for proper functioning at all times
- Large surge chamber (LS, EH, and EHB models) prevents overflow of oil during machine start-up or shut-down
- Side and bottom connections for simplified installation



SPECIFICATIONS

Max. Operating Temp.	165°F Continuous
Reservoir	Butyrate Plastic
Casting	Zinc Die Cast
Finish	Bright Zinc Plated
Internal Parts	Zinc Plated Steel

SELECTION CHART—E, EB

Model No.		Capacity	Connection (NPT)	Dimensions (in.)				
E	EB			A	B Min.	B Max.	C Min.	C Max.
30052	30062	2 oz.	1/4	1-15/16	3-7/8	4-3/8	1/4	3/4
30054	30064	4 oz.	1/4	2-5/16	4-9/16	5-1/16	1/4	3/4
30058	30068	8 oz.	1/4	2-5/8	5-11/16	6-3/16	1/4	3/4

* Metric thread sizes available. Add “-M” to part number for 1/4 BSPT connection port.

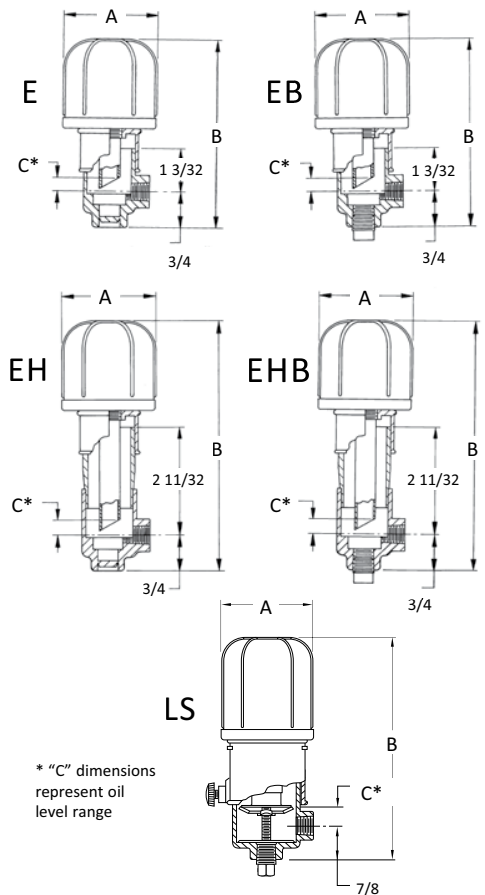
SELECTION CHART—EH, EHB (large surge chamber)

Model No.		Capacity	Connection (NPT)	Dimensions (in.)				
EH	EHB			A	B Min.	B Max.	C Min.	C Max.
30072	30082	2 oz.	1/4	1-15/16	5	5-1/2	1/4	3/4
30074	30084	4 oz.	1/4	2-5/16	5-11/16	6-3/16	1/4	3/4
30078	30088	8 oz.	1/4	2-5/8	6-13/16	7-5/16	1/4	3/4

SELECTION CHART—LS (large surge chamber)

Model No.	Capacity	Connection (NPT)	Dimensions (in.)				
A	B Min.	B Max.	C Min.	C Max.			
30024	4 oz.	1/4	2-5/16	5-7/16	6-3/16	9/32	1
30028	8 oz.	1/4	2-5/8	6-9/16	7-5/16	9/32	1

* Metric thread sizes available. Add “-M” to part number for 1/4 BSPT connection port.



See Spectrum Opto-Matic Collars on page H10 for color coding options.