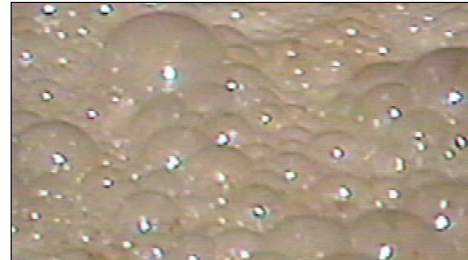
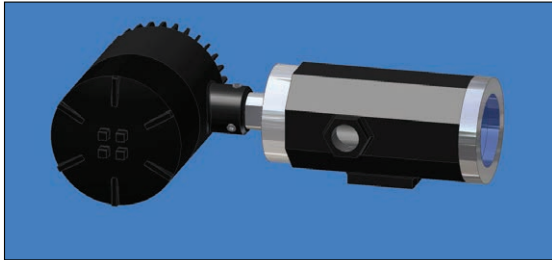


**PROCESS TECHNOLOGY**

**FROTH CONTROL SYSTEMS**

**Ethernet Based Camera Systems**



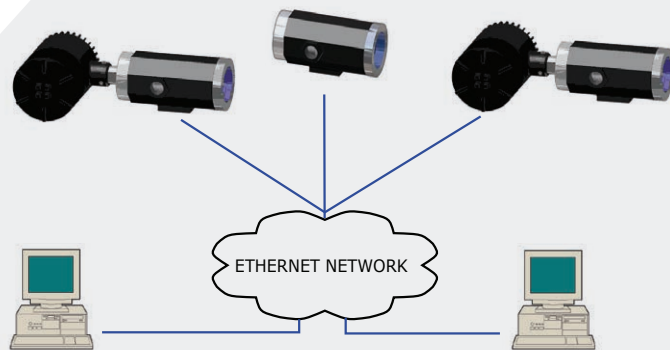
An Ethernet camera is used to provide the measurement image to a customer supplied PC with Microsoft Windows XP O/S and Ethernet connectivity. CANTYVISIONCLIENT™ software is included with each camera. CANTYVISIONCLIENT™ software interfaces with each camera thru TCP/IP to obtain digital images over an Ethernet network. The image from each camera is dynamically analyzed for bubble size, froth velocity and stability.

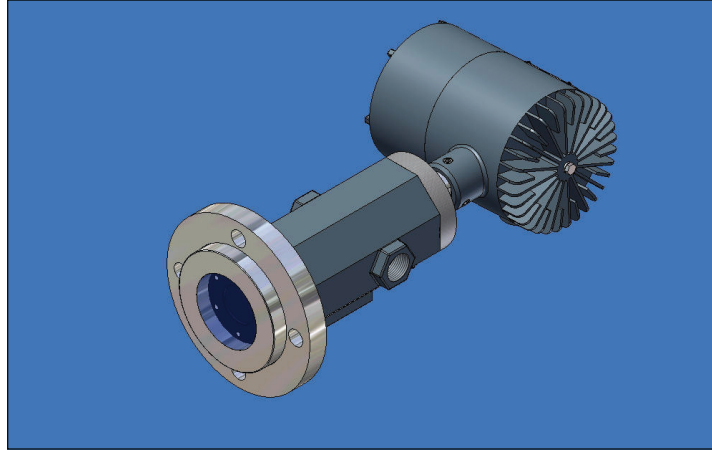
**P/N: VD4912-303** - Ideal for open tanks

Ethernet Camera System w/ Companion Light, NEMA 4 WP enclosure

- 120V AC supply required. Cauty provides 120V AC to 12V DC transformer.
- 41 d (H) view angle
- Companion 80W Toroidal Lighting System w/ Long Life Bulb for Continuous Illumination
- Includes CANTYVISIONCLIENT™ software for bubble size, froth velocity, stability.
- Customer provides suitable mounting bracket

- **Remote View and Control over Ethernet Network**
- **Point and Click Control**
- **TCP/IP Communication**
- **CANTYVISIONCLIENT™ Software Installs on any Microsoft XP PC**
- **Optional Recording Software - Burn to CD, Archive on Hard Drive**
- **Optional Wireless Video Transmission System Available**





**Camera With Companion Light - 3", 150# ANSI flange connection  
P/N : V6E61BC1J - Ideal for enclosed tanks**

Ethernet Camera System w/ Companion Light, NEMA 4 WP enclosure. 3", 150# ANSI flange mount.

- 120V AC supply required. Cauty provides 120V AC to 12V DC transformer.
- 41 d (H) view angle
- Companion 80W Toroidal Lighting System w/ Long Life Bulb for Continuous Illumination
- Includes CANTYVISIONCLIENT™ software for bubble size, froth velocity, stability.
- Designed for use on moly tanks with applications using nitrogen gas for a completely enclosed process

**CautyVision™ Froth Analysis Software**

- Measure Bubble Size
- Froth Velocity
- Froth Stability Measurement
- Single Input, 8 Input, 12 Input Multiplexer Options
- Optional 4-20 mA Current Loop Outputs Available
- Output to EXCEL Spreadsheet, Archive to File, CD

**Reading Office**

Cutbush Park, Danehill, Lower Earley,  
Reading, Berkshire. RG6 4UT. UK.  
Tel: +44 (0)118 9311188  
Email: info@able.co.uk

**Aberdeen Office**

Unit 6 Airside Business Park, Kirkhill Industrial Estate,  
Dyce, Aberdeen. AB21 0GT. UK.  
Tel: +44 (0)1224 725999  
Email: ab@able.co.uk

Internet: www.able.co.uk  
e-procurement: www.247able.com  
Registered in England No: 01851002  
VAT No: GB 417 2481 61

