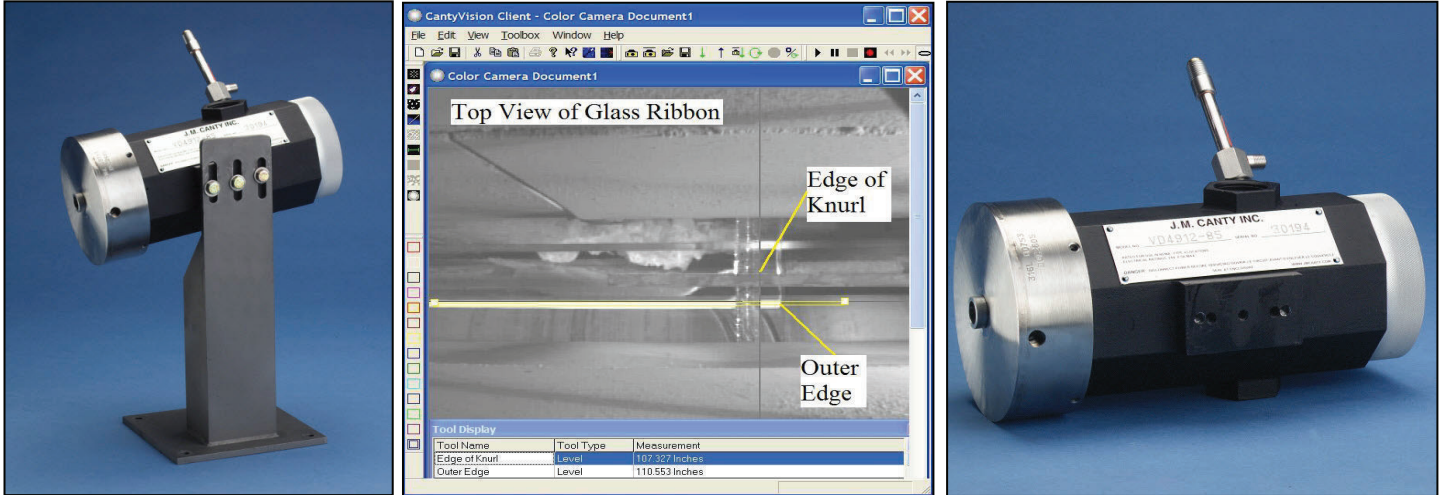


CANTY

PROCESS TECHNOLOGY

HIGHTEMP™ SURVEILLANCE CAMERA FLOAT GLASS WIDTH MEASUREMENT SYSTEM



THE CANTY ADVANTAGE

Minimize trim loss – The Canty float glass system consists of a high temperature Ethernet process camera and incorporates special software to reduce glare along with a unique orifice plate that prevents debris from adhering to the lens, resulting in a clear view of the glass ribbon at all times. This system is a non-contact web width control system which positions Ethernet cameras over the two glass edges and provides continuous real time measurement of web width as glass enters the Lehr annealing chamber after exiting the furnace chamber. Width measurements are made in real-time on a continuous basis, with a resolution of .015"*. CANTYVISIONCLIENT™ Software utilizes image based technology to continually track the extreme edge of the glass ribbon and also the edge of the knurled region formed by the top roll machines used in the float bath furnace to shape and stabilize the glass ribbon. This machine has a rotating shaft with a knurl head on the end that stretches and pulls the glass ribbon through the tin bath to achieve the desired shape at the exit. Process efficiency is improved by making clear glass just wide enough to trim the knurl but no more. What's more, the software provides a visual verification of the glass web on the facility local area network or localized computer. Control outputs available include 4-20mA current loop, as well as OPC & Modbus Interface.

* Dependant on lens and distance

ELECTRICAL SPECIFICATIONS

Format: TCP/IP Communication (Ethernet)
 Cabling: CAT5 Ethernet Cable, RJ-45 Termination
 Power Req.: User supplies 120 V AC (US models) or 240 V AC (European models)
 Canty supplies transformer to 12 V Power
 Power Supply: Available in unrated or weather proof/IP
 Iris: Electronic Auto Iris/Shutter Speed

MECHANICAL SPECIFICATIONS

Size: See dimensional info drawing
 Weight: Approximately 10 lbs.
 Mounting: 1/4" x 20 connection, 3X in mounting block on housing optional. Heavy Duty Mounting Bracket Available.
 Ratings: Available in NEMA 4, IP66
 Temperature: 0°F to 200°F Ambient Typical
 Ratings to 3000°F (process) are available on certain models
 Consult factory for details.

CANTY JM Canty Inc Buffalo, NY USA
 JM Canty Intl Ltd Dublin, Ireland

Ph: (716) 625 4227
 Ph: + 353 (01) 882 9621

Fax: (716) 625 4228
 Fax: +353 (01) 882 9622

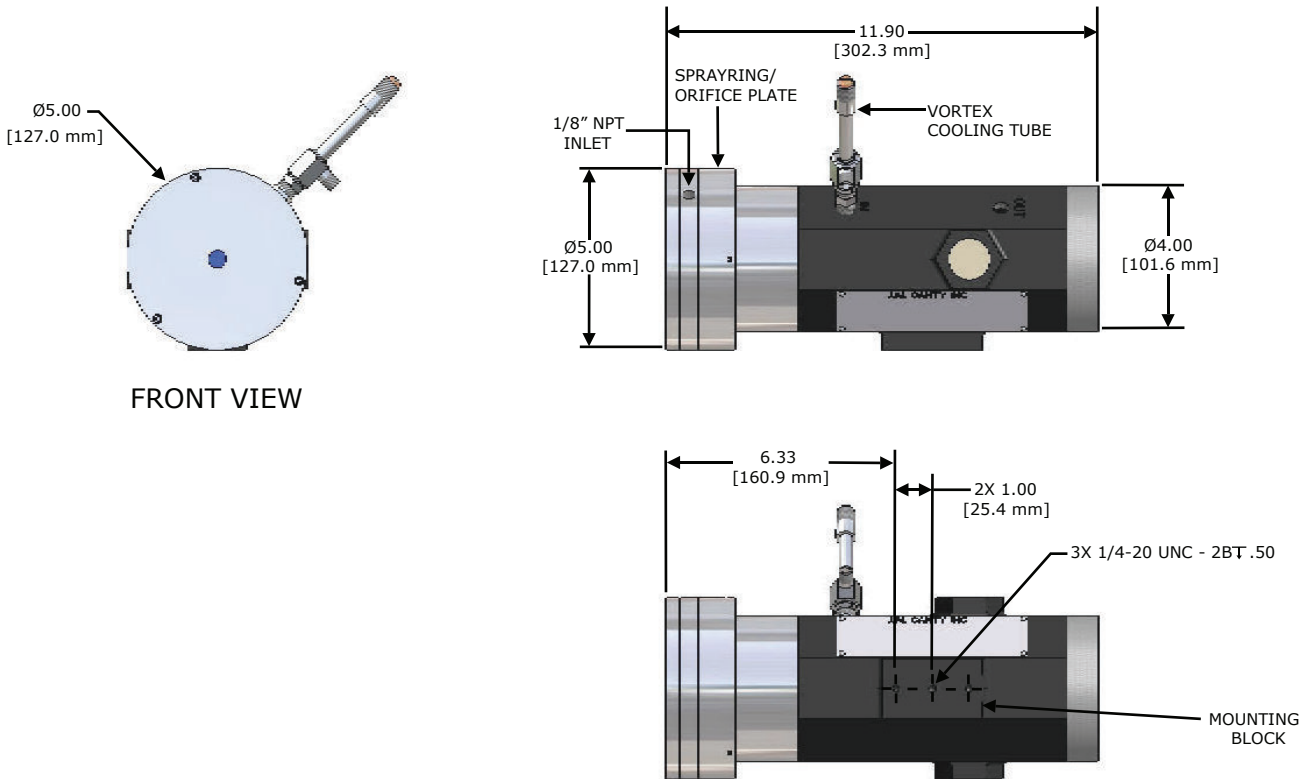
www.jmcanty.com

Document P/N: TA10494-100 Rev. 3

ADDITIONAL FEATURES

- Simultaneously View 10 Cameras On 100 Mbps Network Segment
- Sequentially View Up To 40 Cameras Per Dedicated Network Segment
- Windows® 2000/XP Pro Compatible
- Archive To PC Hard Drive
- Low Installation Cost-Ethernet Cabling
- Point and Click Control
- Optional Video Recording Software
- 15 fps Typical

DIMENSIONAL INFORMATION



* Please Note That The External Camera Insulation Is Included But Not Shown Above

The part designated below is used in most of the applications for float glass, additional options are available upon request
HOW TO ORDER: Select the appropriate symbols and build a part number for each camera:

EXAMPLE:

VSE5065-WP

<p>VIDEO OUTPUT FORMAT _____</p> <p>VS - Vision System NTSC (North American Standard)</p> <p>VE - Vision System PAL (European Standard)</p> <p>CAMERA OPTIONS _____</p> <p>E - Ethernet Camera, Color</p> <p>R - Ethernet Camera, B & W Near IR</p> <p>CAMERA APPLICATION _____</p> <p>5 - Surveillance</p> <p>CAMERA PSU ENVIRONMENTAL RATING _____</p> <p>0 - Non WP or EXP camera power supply</p> <p>1 - WP camera power supply</p>	<p>CAMERA ENCLOSURE ENVIRONMENTAL RATING/INPUT VOLTAGE</p> <p>WP - Weather Proof, NEMA 4 and IP66 rated. User supplies 120V AC</p> <p>IP - Weather Proof, NEMA 4 and IP66 rated. User supplies 240V AC</p> <p>HIGH TEMPERATURE ACCESSORY PACKAGE</p> <p>5 - Cooling Tube, Orifice Plate and Insulation</p> <p>6 - Cooling Tube, Orifice Plate, Insulation and 304 SS Mounting Bracket, 360° Pan, 180° Tilt.</p> <p>LENS OPTION AND APPROXIMATE LENS VIEW ANGLES</p> <p>1 - Manual iris lens with standard view angle, 41°H x 31°V</p> <p>4 - Manual iris lens with standard view angle, 22°H x 17°V</p> <p>6 - Manual iris lens with narrow view angle, 7°H x 5°V</p>
---	---

Reference spec. Sheet VD10474-110 for optional mounting bracket details.
 *4-20 mA output available by selecting module from datasheet TA9688-1 Ethernet Current Loop Output Options. Sold separately.

CANTY JM Canty Inc	Buffalo, NY USA	Ph: (716) 625 4227	Fax: (716) 625 4228
JM Canty Intl Ltd	Dublin, Ireland	Ph: + 353 (01) 882 9621	Fax: +353 (01) 882 9622

www.jmcanty.com

All registered trademarks are the property of their respective owners.